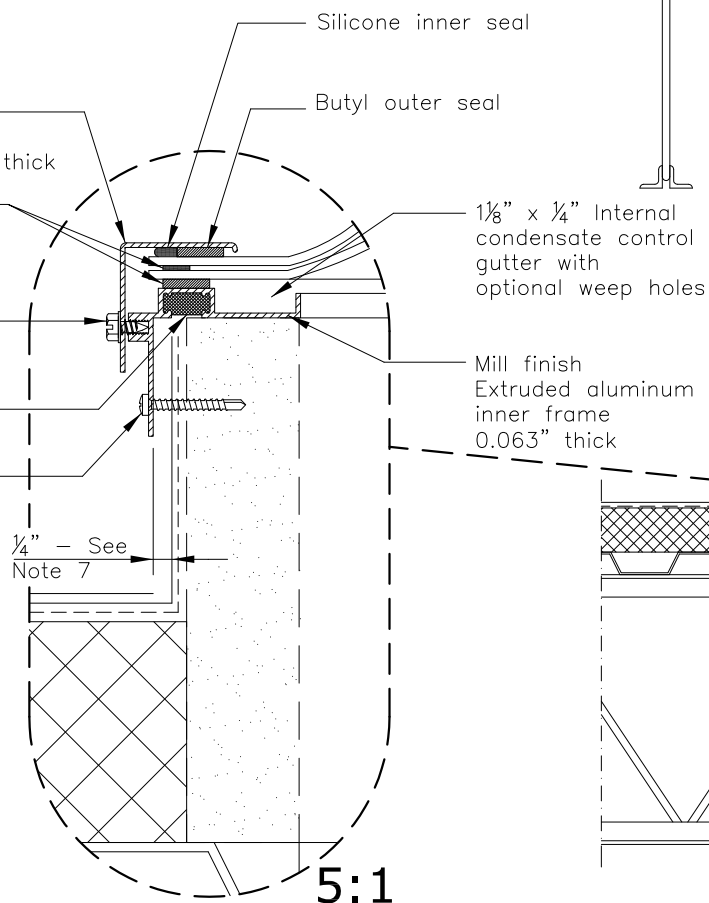
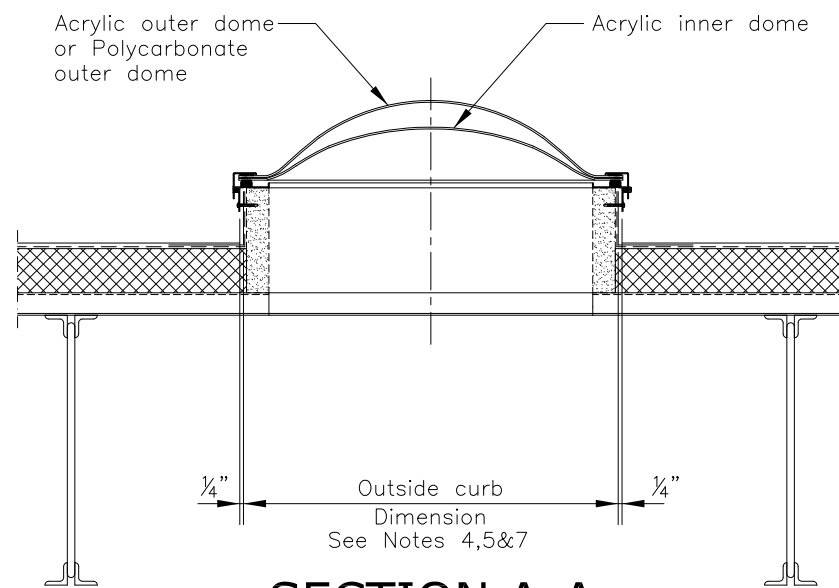


PLAN

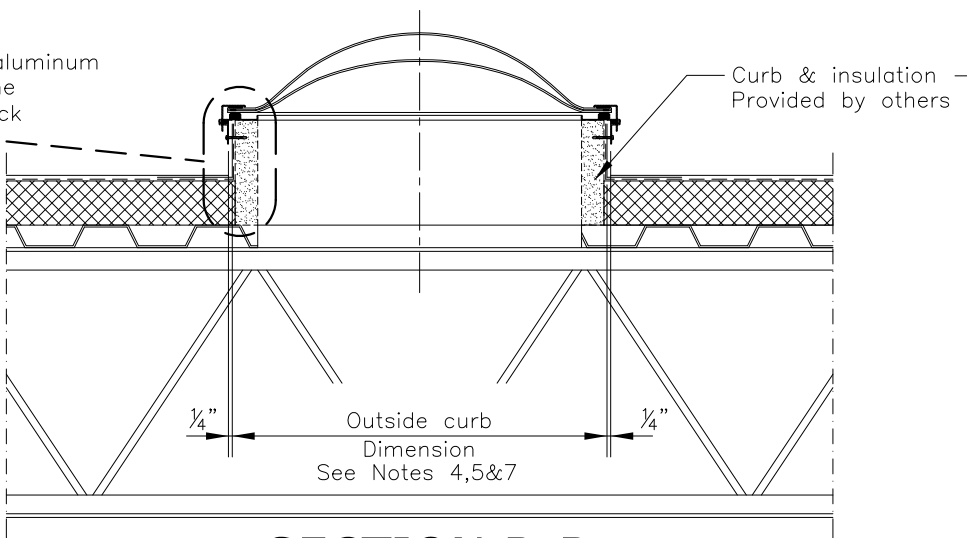
- Mill finish, Extruded aluminum frame cover, 0.063" thick
- 1/8" EPDM foam with pressure sensitive adhesive
- Assembly screw
- (Optional) Thermal barrier
- Self-drilling fastener Provided by others See Note 6



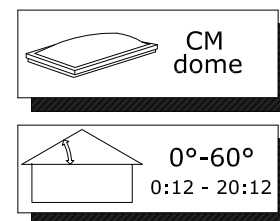
5:1



SECTION A-A



SECTION B-B



CM dome skylight

Size Requirements

Outside Curb Dimensions
 (Acrylic—Between 14"x14" to 102"x150" in 1/4" increments)
 (Polycarbonate—Between 14"x14" to 96"x68" in 1/4" increments)

Thermal Barrier

Yes (Standard)
 No

Glazing Options

- Clear over Clear Acrylic (04A)
- Clear over White Acrylic (04W)
- White over Clear Acrylic (04T)
- Bronze over Clear Acrylic (04B)
- Polycarbonate over Clear Acrylic (04I)
- Polycarbonate over White Acrylic (04V)
- Thicker Clear over Clear Acrylic (04D) Fall protection tested with maximum size not to exceed 36 Square Feet
- Thicker White over Clear Acrylic (04F) Fall protection tested with maximum size not to exceed 36 Square Feet
- Thicker Clear over Clear Prismatic (04E)
- Thicker White over Clear Prismatic (04G)
- Clear over Clear Prismatic (04H)
- Polycarbonate over Clear Prismatic (04P)
- White over Clear Prismatic (04S)

GENERAL NOTES

1. This drawing emphasizes the VELUX CM Commercial Skylight. It illustrates a general arrangement layout (plus recommendations) for a VELUX CM installation in a 0–60 degree roof pitch application.
2. The architectural/structural design and specifications for the inclusion of a commercial skylight, such as the VELUX CM, in any roofing/ceiling application is determined and provided by others. The design criteria includes, but is not limited to design loads, structural configurations, structural framing member sizes and material, architectural finishes and integration with the roofing/ceiling systems of the building. VELUX recommends compliance by all designers and installers with all local and industry specific building codes and guidelines. VELUX assumes no responsibility or liability in the design, construction and performance of a building structure by others.
3. The CM skylight installs directly on site built or prefabricated curbs, provided by others.
4. Acrylic dome skylights available at custom sizes between 14"x14" and up to 102"x150" in 1/4" increments. VELUX requires outside curb dimensions (including flashing) for CM skylights.
5. Polycarbonate dome skylights available at custom sizes between 14"x14" and up to 96"x68" in 1/4" increments. VELUX requires outside curb dimensions (including flashing) for CM skylights.
6. #8 or larger stainless steel, self-drilling fasteners, appropriate for supporting structure. Provided by others.
7. Actual inside of CM frame will measure 1/2" larger than curb size dimensions given to VELUX.
8. Acrylic glazings 04D and 04F have 0.118 thickness for inner and outer domes. All Prismatic inner domes 0.125" thick.

This drawing is an instrument of service and is provided for informational use only.

Dome Thickness Schedule

Skylight Area	Outer Dome Thickness		Inner Dome Thickness
	Acrylic	Polycarbonate	
≤12sq.ft.	0.080"	0.150"	0.080" *
>12sq.ft. – ≤18sq.ft.	0.090"	0.150"	0.080" *
>18sq.ft. – ≤36sq.ft.	0.118"	0.150"	0.090" *
>36sq.ft. – ≤64sq.ft.	0.150"	0.150"	0.118"
>64sq.ft.	0.177"	0.150"	0.150"

See General Note 8
 * Indicates inner dome thickness of 0.118" when used with Polycarbonate outer dome.



VELUX
 1418 Evans Pond Road
 Greenwood, SC 29649
 1-800-88-VELUX
 www.VELUXUSA.com

CM Dome Commercial Skylight