



THE STEELWORKS

CLEAN SWING

Quick Inset Series

The Right Solution For Clean Environment Applications

CLEAN SWING FLUSH FRAMES

- ✓ Clean.
- ✓ Environmental Control.
- ✓ Reliable.

The **CLEAN SWING DOOR** is engineered and manufactured to our customers specification. We offer a wide range of features ensuring that our doors are both strong and reliable. Our doors provide reliable operation that withstand moisture, harsh chemicals and abuse in the toughest of environments.

Steelworks, we build doors that support your business.



Frame depths, as required, to flush with wall down to 3.75" depth for a smooth corner free transition between your wall and the door frame.



- 1 When you need Operational Efficiency
- 2 Ideal Install during Plant Shutdowns
- 3 Cost Effective & Low Maintenance
- 4 Unsurpassed Quality



DOOR PANEL CONSTRUCTION:

- 304 or 316 Stainless Steel construction
- **Aseptic Panels:** 16 Ga. Stainless Steel Skins, Fully Welded, Ground and Polished all (4) sides for a superior clean finish, leaving no voids for contaminants.
- **Seamless or Lock Seam Panel construction**
- **Lock Seam Panels:** 16 Ga. Or 18 Ga. Stainless Steel Skins with Formed Edges to lock the vertical seams together. More economical than Aseptic panels if the level of cleanliness is not required.
- **Seamless, Beveled Window Frames are standard.**

FLUSH FRAME CONSTRUCTION:

- 14 Ga. Stainless Steel, Single Rabbet, Fully Welded, Ground and Polished Face
- Frame depths as required to flush with wall down to 3.75"
- Can be used with our Stainless, Fiberglass and Steel Door Panels
- Passivation of all weld
- Concealed Fasteners for Retrofit Applications
- Smooth Stainless Caps over fasteners provide a clean finished look

DOOR SEALS:

- A Weather Seal is adhered directly to the stop portion of the frame, this keeps it from being damaged as people and carts traverse through the opening and provides a consistent tight seal

HINGES & HARDWARE:

- Full Height Stainless, mortised **Continuous Hinge** as standard.
- We use Grade (1) Heavy Duty Hardware and can **provide any configuration** or manufacturer to meet customer specifications
- Stainless Push/Pull with Stainless Door Closer
- Stainless Panic with or without Lever Handle

OPTIONS:

- Custom Integrated **Touchless Controls, Card Readers and Mag Locks** can be incorporated into the design for Interlocking and or Security.
- **Custom Sized Hospital or Aseptic Stop** for ease of cleaning the floor through the door opening.
- Ready to install, beneficial and expedient, fully configured door systems are **Ideal for Plant Shutdowns.**
- Available in Carbon Steel with Painted Custom Color finish
- **Vision Panels:** Laminated, Tempered, Wired Glass or Lexan
- **Vision Panels:** the 4 sided slopped vision panel frame eliminates debris depositing on the sill
- **Steelworks Smooth Vision Option.** Provides a flush vision area on both sides for a smooth clean finish.
- Custom Permanent Marked **Signage and Logo** can be added to any panel

WARRANTY:

One Year Limited Warranty on Material and Workmanship

Distributor Information

Section



Clean Swing Automated Features:

- Power Automatic Operators can be added to any of our Door Systems
- Stainless full width Mounting Plate
 - Stainless Sloped Hood
 - Aluminum Machined Control Arms (304 or 316 stainless option available)
 - Galvanized Control Arm Coupler & Pins (304 or 316 stainless option available)
 - Adjustable Speed, Open & Close
 - Activation Interface Terminals
 - Adjustable Timer to Close
 - Adjustable Force to Open & Close
 - Interlock Terminals
 - Mag Lock Interface Terminals with DC Power
 - With Power Outage Door can be used Manually

Integrated Controls and Locks

- Wave Switch-Touchless Activation
- Card Reader
- Emergency Exit Devices
- Request to Exit
- Mag Locks
- Electric Hardware

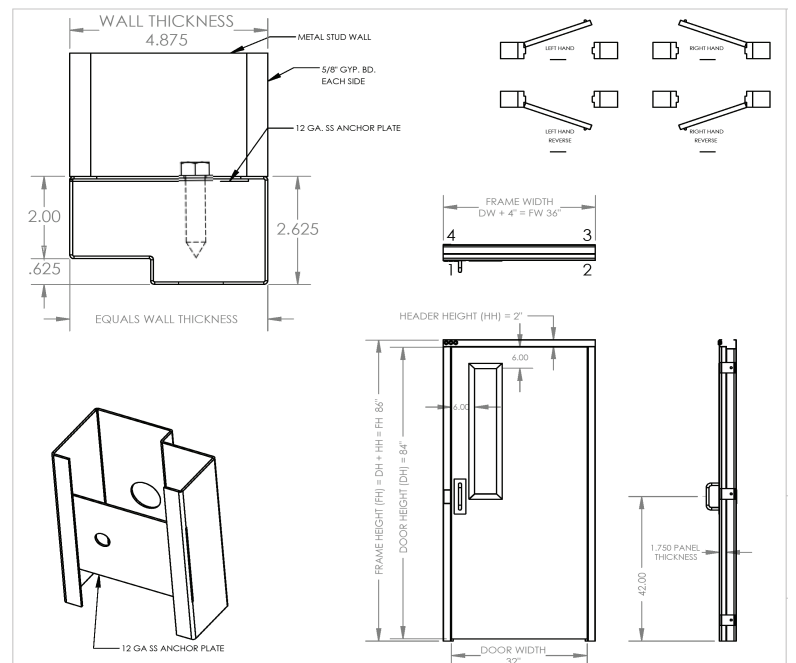
Any Hardware Configuration

All Accessories and Interface Terminals can be Included to match any customers requirements and prewired at the factory

Designed and Built to meet the Customers Exact Requirements

Fiberglass Door Panel:

Available with single rabbet or split frame. Competitors fiberglass panels that do not have the solid internal tube frame structure rely on an insulated core and do not stay true, especially with heavy cart or dolly pass thru.



919-639-2400 • 1448 James Norris Road.
Angier, NC 27501 • www.swsteelworks.com